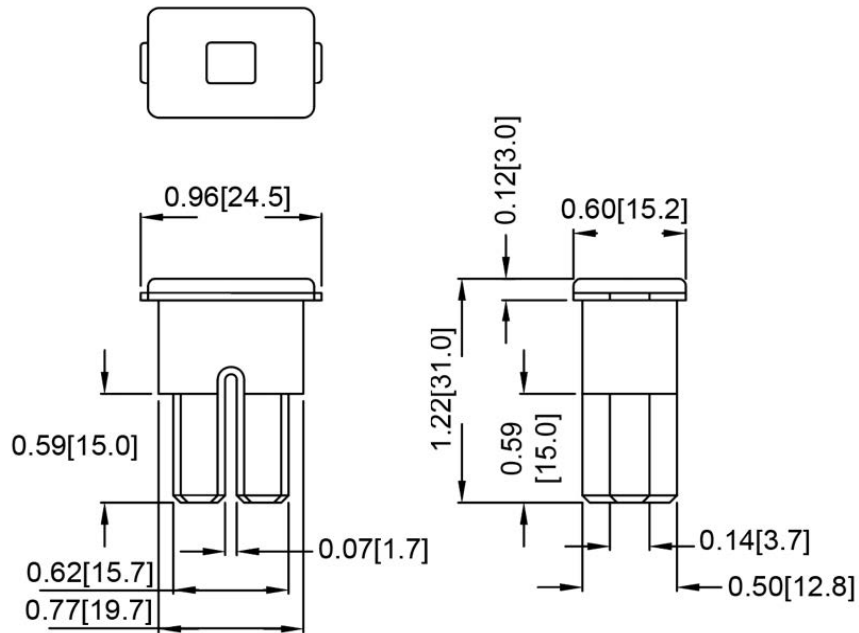


Mechanical Dimensions: Inches [mm]

Tolerances ± 0.012 [0.3] Unless Otherwise Specified



Part Numbers Information

Amperage	Body Color	Bulk Part #
20A	Light Blue	TFLF-20A
30A	Pink	TFLF-30A
40A	Green	TFLF-40A
50A	Red	TFLF-50A
60A	Yellow	TFLF-60A
70A	Brown	TFLF-70A
80A	Black	TFLF-80A
100A	Blue	TFLF-100A
120A	Gray	TFLF-120A

Electrical Specifications

Voltage Rating 32VDC

Current Cycling (Ambient temperature: 24°C): The fuses satisfy the performance requirements after 50% of the rated current is applied for 10,000 cycles. Each cycle consists of an interrupted current with the pattern of 5 min ON and 10 min OFF.

% change in fuse current carrying capacity:
With change in ambient temperature: -0.075%/°C.

Material Specifications

Female Terminals

Time vs Percent of Rated Current

% of Rated Current	Operating Time	
	Min Hold Time	Max Hold Time
110%	4h	~
200%	5s	100s
300%	0.5s	15s
500%	~	3s

Rev	Date of issue	Revision Notes	Designed	Approved
D	03-19-2025	Initial Drawing	RC	OF