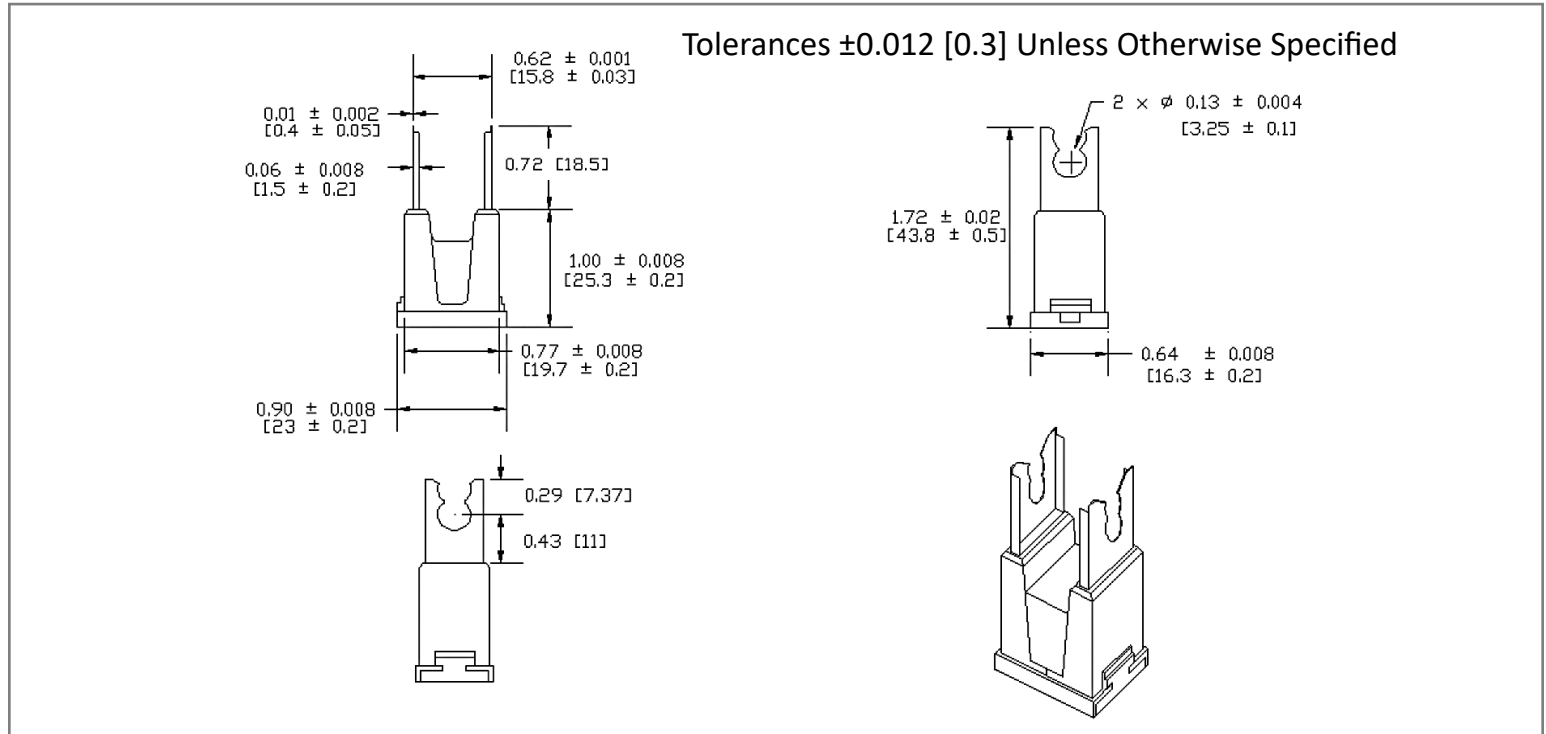


Mechanical Dimensions: Inches [mm]



Part Numbers Information

Amperage	Body Color	Bulk Part #
20A	Light Blue	TFLM-20A
30A	Pink	TFLM-30A
40A	Green	TFLM-40A
50A	Red	TFLM-50A
60A	Yellow	TFLM-60A
70A	Brown	TFLM-70A
80A	Black	TFLM-80A
100A	Blue	TFLM-100A
120A	White	TFLM-120A
140A	Maroon	TFLD-140A

Electrical Specifications

Voltage Rating 32VDC

Interrupting Rating 5000A @ 32VDC

Designed to meet JASO D612-4: 2001

Material Specifications

Male Terminal (Radial Lead)

Time vs Percent of Rated Current

% of Rated Current	Min Hold Time	Max Hold Time
110%	4h	~
200%	5s	100s
350%	200ms	7s
600%	40ms	1s

Rev	Date of issue	Revision Notes	Designed	Approved
D	03-19-2025	Initial Drawing	RC	OF