

Type TMS-R-E Time Lag Micro Fuse Radial Leaded – Short Leaded



www.optifuse.com (619) 593-5050

Agency Standards and Listings:



| | |
|-------|------------|
| VDE | 100mA~6.3A |
| PSE | 100mA~6.3A |
| SEMKO | 100mA~6.3A |
| BSI | 100mA~6.3A |
| CQC | 100mA~6.3A |
| KC | 1A~6.3A |

Interrupt Ratings:

35A or 10 x rated current; whichever is greater @ 250 VAC
PSE: 100A @ 250 VAC

Operating Temperature: -55°C ~ +125°C

Physical Specifications (Materials):

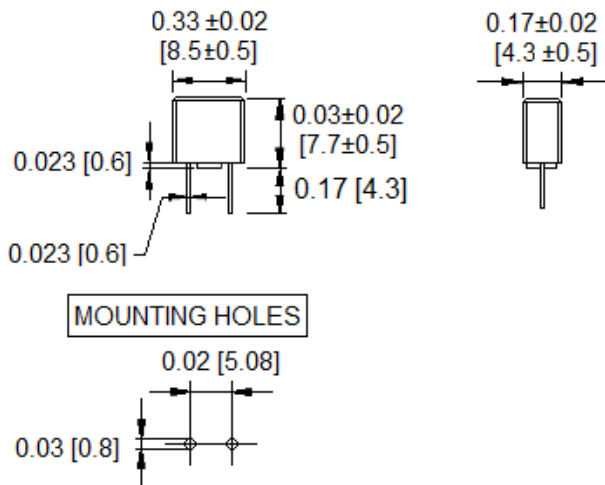
Thermoplastic Body, UL 94-V0
Tin-Lead Plated Alloy Pins

| Part Number | Ampere Rating | Voltage Rating | I ² T |
|---------------|---------------|----------------|------------------|
| TMS-R-E-100mA | 100mA | 250V | 0.02623 |
| TMS-R-E-125mA | 125mA | | 0.04499 |
| TMS-R-E-160mA | 160mA | | 0.08755 |
| TMS-R-E-200mA | 200mA | | 0.1181 |
| TMS-R-E-250mA | 250mA | | 0.2030 |
| TMS-R-E-315mA | 315mA | | 0.3597 |
| TMS-R-E-400mA | 400mA | | 0.6893 |
| TMS-R-E-500mA | 500mA | | 1.232 |
| TMS-R-E-630mA | 630mA | | 2.185 |
| TMS-R-E-800mA | 800mA | | 2.987 |
| TMS-R-E-1A | 1A | | 6.319 |
| TMS-R-E-1.25A | 1.25A | | 12.23 |
| TMS-R-E-1.6A | 1.6A | | 22.03 |
| TMS-R-E-2A | 2A | | 43.08 |
| TMS-R-E-2.5A | 2.5A | | 50.05 |
| TMS-R-E-3.15A | 3.15A | | 73.53 |
| TMS-R-E-4A | 4A | | 88.16 |
| TMS-R-E-5A | 5A | | 152.0 |
| TMS-R-E-6.3A | 6.3A | | 255.7 |

Electrical Characteristics:

| 200% | | 275% | | 400% | | 1000% | |
|------|--------|------|--------|------|-------|--------|-----|
| MAX | MIN | MAX | MIN | MAX | MIN | MAX | MIN |
| 2 m | 400 ms | 10 s | 150 ms | 3 s | 20 ms | 150 ms | |

Mechanical Dimensions: Inches [mm]



Warning:



-Operation beyond the specified maximum ratings or improper use may result in damage and possible electrical arcing and/or flame.
-Micro Fuse device are intended for occasional overcurrent protection. Application for repeated overcurrent condition and/or prolonged trip are not anticipated.
-Avoid contact of Micro Fuse device with chemical solvent. Prolonged contact will damage the device performance.